

FEATURES	SPECIFICATIONS			CURRENT RATINGS																
				28VDC			115VAC 60 or 400Hz													
				Lamp Load	Resistive Load	Inductive Load	Lamp Load	Resistive Load	Inductive Load											
<ul style="list-style-type: none"> Environmentally sealed 1, 2, and 4 pole circuitry 2 & 3 position with maintained and momentary action Molded-in terminal inserts and terminal numbers 	<ul style="list-style-type: none"> Environmentally sealed per MIL-S-3950 MS approved and QPL'd per MIL-S-3950 Thermoset molding materials meet flame retardant requirements Bushing: 15/32" - 32 thread Temperature Range: -85°F to +160°F (-65°C to +71°C) Life: 20,000 operations at rated load 40,000 operations mechanical life 	<table border="1"> <thead> <tr> <th>No. of Poles</th> <th>Catalog Number</th> <th>Type of Operation</th> </tr> </thead> <tbody> <tr> <td>1</td> <td>8500</td> <td>Maintained Momentary</td> </tr> <tr> <td>2</td> <td>8501</td> <td>Maintained Momentary</td> </tr> <tr> <td>4</td> <td>8502</td> <td>Maintained Momentary</td> </tr> </tbody> </table>	No. of Poles	Catalog Number	Type of Operation	1	8500	Maintained Momentary	2	8501	Maintained Momentary	4	8502	Maintained Momentary	5	20	15	3	15	10
			No. of Poles	Catalog Number	Type of Operation															
			1	8500	Maintained Momentary															
			2	8501	Maintained Momentary															
4	8502	Maintained Momentary																		
4	15	10	2	15	7															
			7	20	15	4	15	15												
			5	18	10	2	11	8												
			5	20	12	4	15	15												
			4	18	10	2	11	8												

Minimum Rating: "Intermediate Current" per MIL-S-3950

STANDARD LEVER SELECTION TABLE



8500



8501

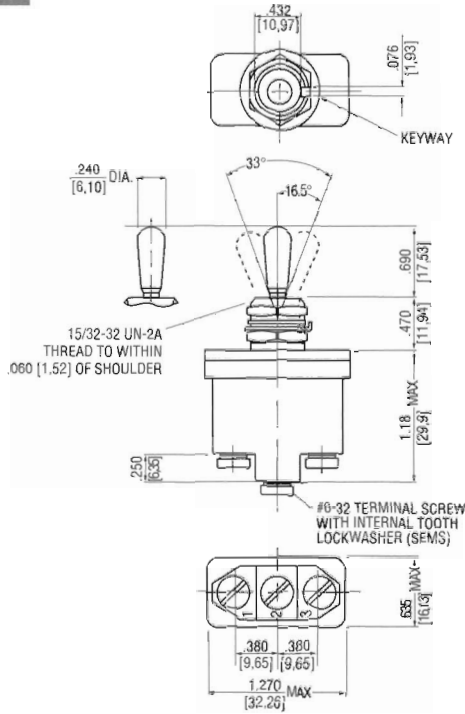


8502

CIRCUIT WITH LEVER IN...			ONE POLE		TWO POLE		FOUR POLE	
Up Position	Center Position	Down Position (Keyway)	MS Part Number	Catalog Number	MS Part Number	Catalog Number	MS Part Number	Catalog Number
ON	OFF	ON	MS24523-21	8500K1	MS24524-21	8501K1	MS24525-21	8502K1
ON	NONE	OFF	-22	K9	-22	K9	-22	K9
ON	NONE	ON	-23	K4	-23	K4	-23	K4
ON	OFF	NONE	-24	K6	-24	K6	-24	K6
ON	OFF*	NONE	-25	K8	-25	K8	-25	K8
ON	NONE	ON*	MS24523-26	8500K5	MS24524-26	8501K5	MS24525-26	8502K5
ON	OFF	ON	-27	K2	-27	K2	-27	K2
NONE	OFF	ON*	-28	K7	-28	K7	-28	K7
ON	NONE	OFF*	-29	K10	-29	K10	-29	K10
OFF	NONE	ON*	-30	K11	-30	K11	-30	K11
ON	OFF	ON*	MS24523-31	8500K3	MS24524-31	8501K3	MS24525-31	8502K3
*ON	ON	NONE	-32	K12	-32	K12	-32	K12
ON	ON	NONE	-33	K13	-33	K13	-33	K13
ON	ON	ON	—	—	MS27407-1	8501K14	MS27406-1	8502K15
ON	ON	ON*	—	—	-2	K15	-2	K16
ON	ON	ON	—	—	-3	K16	-3	K17
ON	ON	ON	—	—	-4	K17	—	—
ON	ON	ON*	—	—	-5	K18	—	—
ON	ON	ON	—	—	-6	K19	—	—

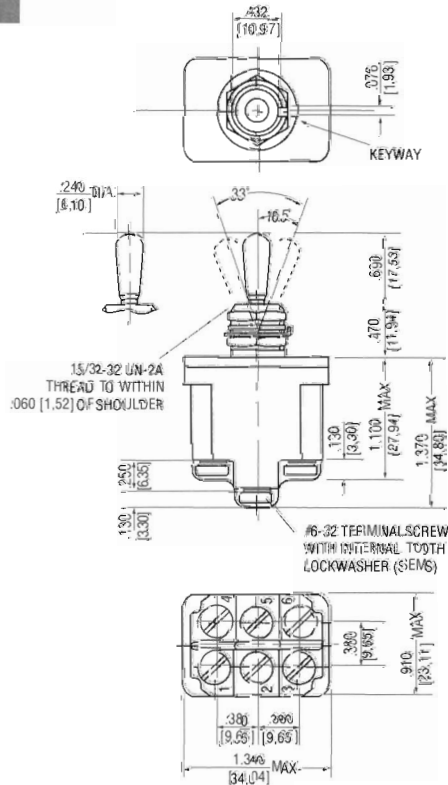
* Momentary contact.
See Page 73 for circuit diagrams.

MOUNTING DIMENSIONS—ONE POLE / 8500



Terminal Identification

MOUNTING DIMENSIONS—TWO POLE / 8501



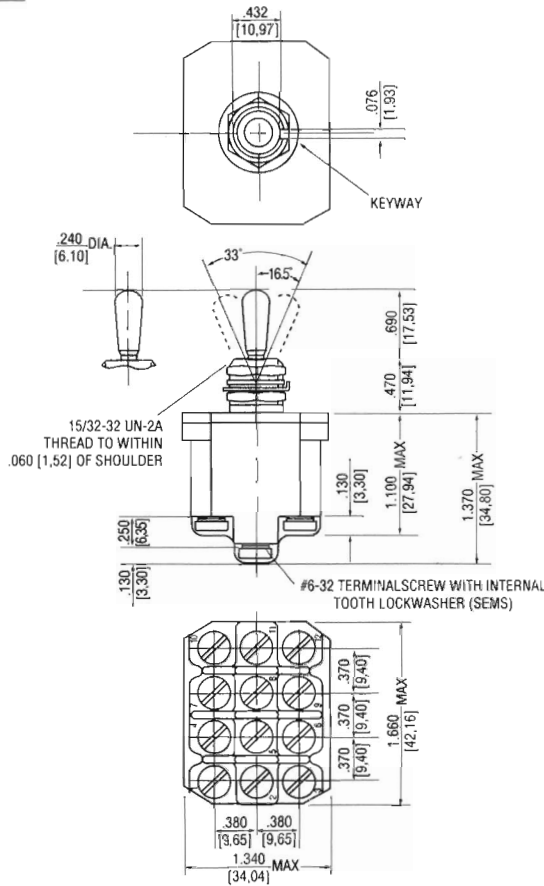
Terminal Identification

STANDARD
 0.00 = inches
 [0.0] = mm

Mounting dimensions for reference only.

Non-functional terminals not supplied.

MOUNTING DIMENSIONS—FOUR POLE / 8502



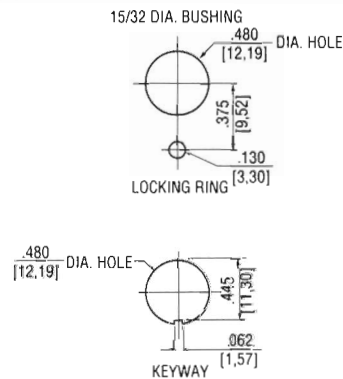
Terminal Identification

Non-functional terminals not supplied.

OPTIONS/ACCESSORIES

- Special mounting hardware
- Mounting hardware furnished assembled
- Terminal screws furnished assembled
- Special circuits
- Panel seal, part number 32-341 (See Accessories and Custom Components section)
- Special "3 Cat-eye" luminous lever attachment
- Lever extensions and attachable tips (See Accessories and Custom Components section)
- Custom wiring harnesses

PANEL CUTOUT DIMENSIONS



STANDARD

0.00 = inches

[0,0] = mm

Mounting dimensions for reference only.