

SERIES 030:



ACTUAL SIZE



SUB-MINIATURE T-05 SPACE SAVER ROTARY SWITCHES

This sub-miniature rotary switch has up to 8 positions in a T-05 can. Gold contacts deliver long life and reliability. Contacts are glass to metal sealed to prevent solder flux penetration. The Series 030 can be used for manually programming a single PC board for test or multi-function use.

KEY FEATURES:

- Gold contacts
- Up to 8 positions
- Life: 10,000 mechanical actuation (nom.)
- Variety of actuator lengths
- Glass to metal sealed header
- PC terminals
- Sub-miniature package size (.36" diameter)

APPLICATIONS

- Communications equipment
- Cable TV equipment
- Circuit breakers
- Timers
- Thermostatic controls

ORDERING INFORMATION:

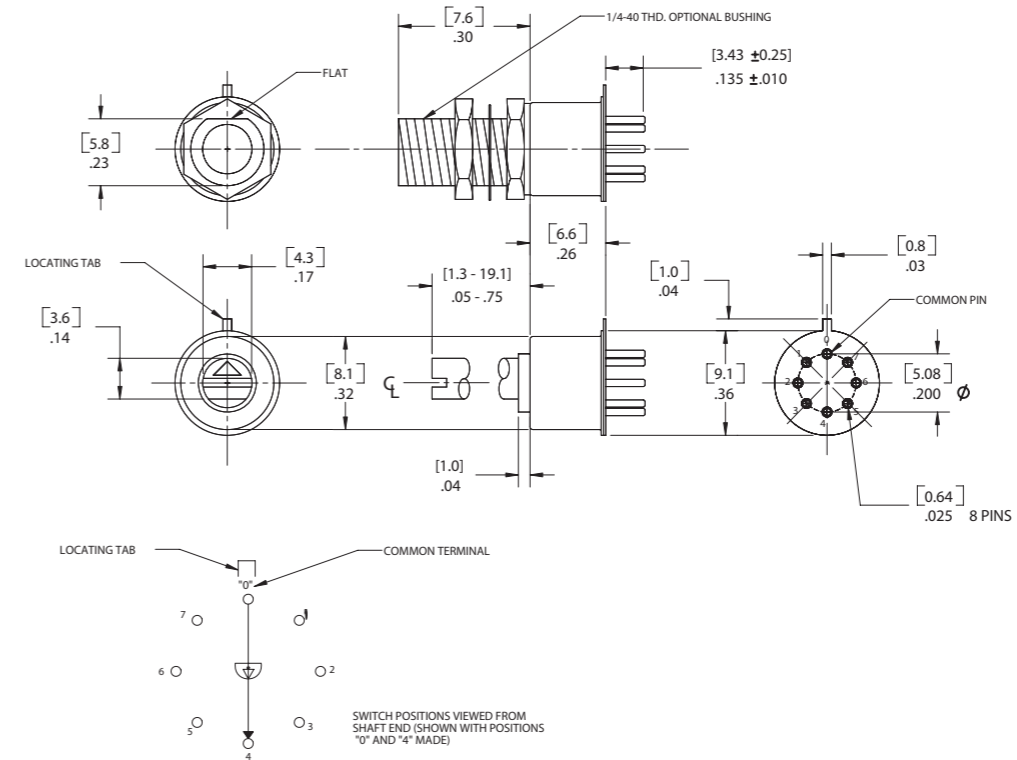
Part Number	Positions	Shaft Length	Custom *
030-303-018	3	0.1	—
030-404-018	4	0.18	—
030-404-904	4	0.05	Black Insert, Spacer, No Post
030-404-905	4	0.05	Red Insert, Micro Plastic Spacer
030-505-018	5	0.18	—
030-505-906	5	0.05	Black Insert, Spacer, No Post
030-606-018	6	0.18	—
030-606-902	6	0.30	Black Insert, Spacer, No Post
030-808-005	8	0.05	—
030-808-030	8	0.30	—
030-808-907	8	0.05	Black Insert, Spacer, No Post
030-808-908	8	0.30	Black Insert, Spacer, No Post
030-808-909	8	0.30	No Insert, Spacer, No Post

* Subject to change without notice, all orders are NC & NR.

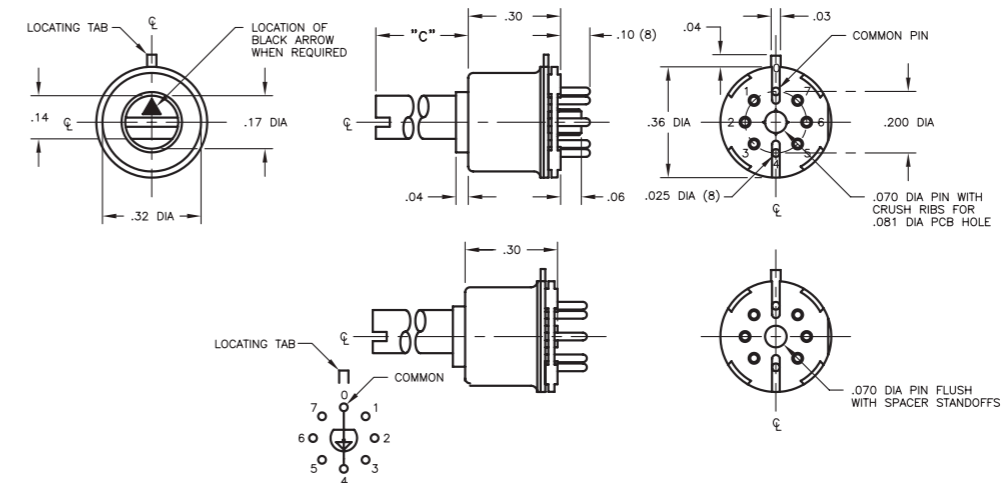
STANDARDS / AGENCY / RATINGS:



030-XOX-XXX



030-XOX-9XX



MECHANICAL / ELECTRICAL CHARACTERISTICS:

- Contact rating:** dry circuit to 500 mA @ 125 VAC
- Contact material:** hard gold over barrier
- Contact resistance:** 80 milliohms Max (initially)
- Life:** 10,000 actuations
- End of life criteria:** 100 milliohms contact resistance
- Angle of throw:** 45° / position— 8 positions max
- Breakdown voltage:** 500 V 60 HZ
- Insulation resistance:** 50,000 megohms
- Actuation torque:** 85 inch—grams nom initially
- Temperature range:** -30°C to +100°C