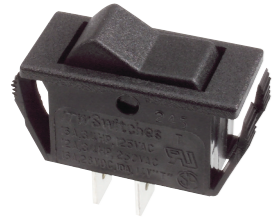
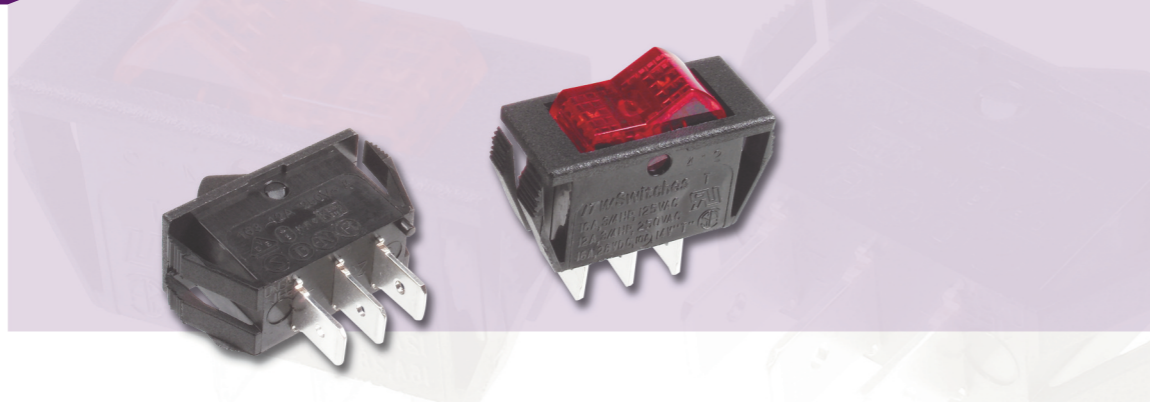


SERIES 163:



ACTUAL SIZE



SINGLE POLE LIGHTED AND NON-LIGHTED ROCKERS

This compact traditionally styled switch is ideal for applications where reliable performance is needed for switching loads up to 16 amps. The lighted version is well suited where additional status indication is needed.

KEY FEATURES:

- SPST and SPDT circuitry
- Snap-in panel mounting
- Neon lighted or non-lighted versions available
- 0.250 inch slip-on terminals
- UL recognized and CSA certified
- Some circuits VDE approved

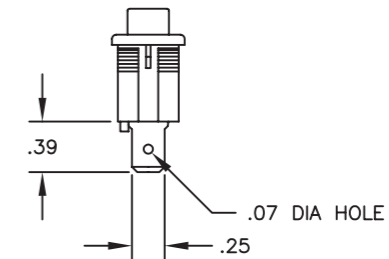
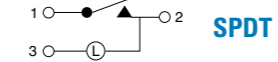
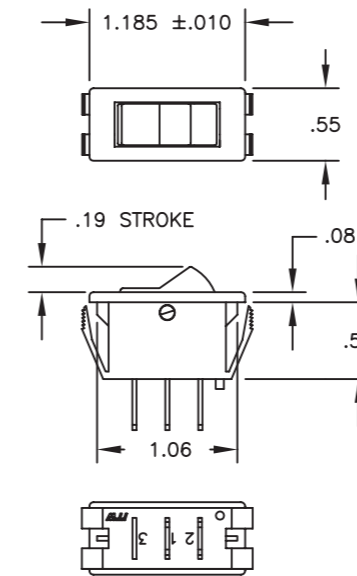
ORDERING INFORMATION:

Part Number	Circuit	Lighting	Rocker Color
163-029-006	SPST	125V Neon	Red
163-099-009	SPST	—	Black
163-099-029	SPDT	—	Black

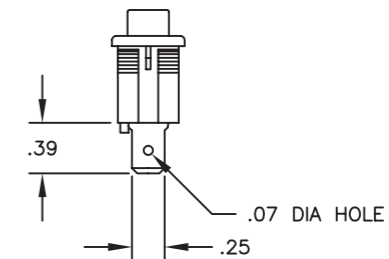
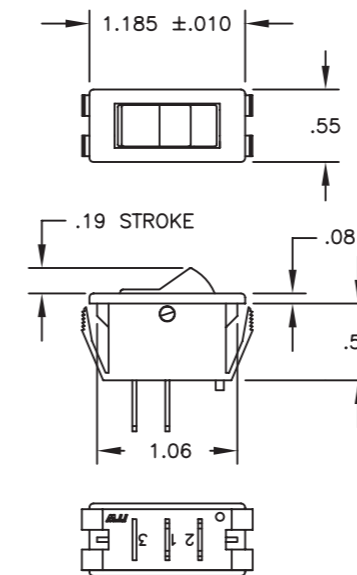
STANDARDS / AGENCY / RATINGS:



LIGHTED ROCKER



NON-LIGHTED ROCKER



MOUNTING:

Snaps into panels from: 0.015" (.4 mm) to 0.125" (3.2 mm) thick.
 Recommended cutout: 0.48" (12.2 mm) x 1.08" (27.4 mm).
 It is recommended the switch cut out be punched from front of panel.

MECHANICAL / ELECTRICAL CHARACTERISTICS:

Rating:
16 amps

Terminals:
0.250 inch slip on

Case color:
black

Electrical Ratings:

Circuitry	Current	HP	Voltage
SPST	16 Amps	3/4	125 VAC
SPDT	12 Amps	3/4	250 VAC
	16 Amps	—	28 VDC