

## SERIES 49 MINIATURE SEALED ESD RESISTANT PUSHBUTTON



### Miniature Sealed ESD Resistant Pushbutton Switches

This switch series is rugged, panel sealed, available with round or square bezels and LED lighted or non-lighted. Bushing mount or snap-in mounting available. Series 49 switches are ideal for demanding applications in harsh environments where water, moisture or dust is problematic.

#### KEY FEATURES:

- Normally open or closed circuitry
- Momentary action
- LED lighted or non-lighted
- .110 Quick Connect or Solder terminals available
- Gold contacts
- ESD 15KV minimum
- Panel sealed to IP67
- Long life – up to 1 million cycles
- Threaded or snap-in mounting

### APPLICATIONS

- Industrial equipment control handles
- Dog training control modules
- Outdoor controls
- Medical equipment
- Beverage dispensing

### ORDERING INFORMATION:

| Part Number | Body Style        | Button Color | LED Color | Contacts        | Terminals |
|-------------|-------------------|--------------|-----------|-----------------|-----------|
| 49-111      | Round bezel       | Black        | —         | Normally Open   | Solder    |
| 49-112      | Round bezel       | Red          | —         | Normally Open   | Solder    |
| 49-113      | Round bezel       | Green        | —         | Normally Open   | Solder    |
| 49-114      | Round bezel       | White        | —         | Normally Open   | Solder    |
| 49-115      | Round bezel       | Yellow       | —         | Normally Open   | Solder    |
| 49-116      | Round bezel       | Blue         | —         | Normally Open   | Solder    |
| 49-411G     | Illuminated round | Black        | Green     | Normally Open   | Solder    |
| 49-411R     | Illuminated round | Black        | Red       | Normally Open   | Solder    |
| 49-412G     | Illuminated round | Red          | Green     | Normally Open   | Solder    |
| 49-412R     | Illuminated round | Red          | Red       | Normally Open   | Solder    |
| 49-413G     | Illuminated round | Green        | Green     | Normally Open   | Solder    |
| 49-413R     | Illuminated round | Green        | Red       | Normally Open   | Solder    |
| 49-9111     | Snap-in round     | Black        | —         | Normally Open   | Solder    |
| 49-9112     | Snap-in round     | Red          | —         | Normally Open   | Solder    |
| 49-9113     | Snap-in round     | Green        | —         | Normally Open   | Solder    |
| 49-611 *    | Round bezel       | Black        | —         | Normally Closed | Solder    |
| 49-612 *    | Round bezel       | Red          | —         | Normally Closed | Solder    |
| 49-613 *    | Round bezel       | Green        | —         | Normally Closed | Solder    |
| 49-131 *    | Round bezel       | Black        | —         | Normally Open   | .110 QC   |
| 49-132 *    | Round bezel       | Red          | —         | Normally Open   | .110 QC   |
| 49-133 *    | Round bezel       | Green        | —         | Normally Open   | .110 QC   |

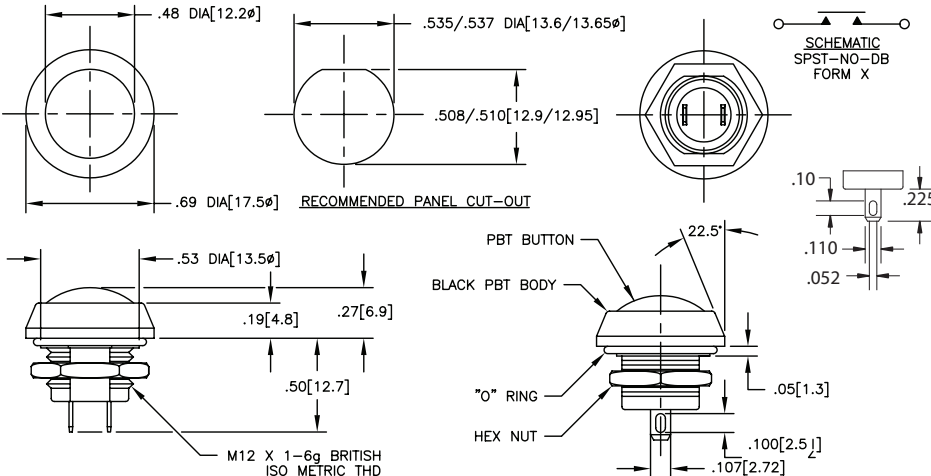
\* New Products

### STANDARDS / AGENCY / RATINGS:



# SERIES 49—MINIATURE SEALED ESD RESISTANT PUSHBUTTON

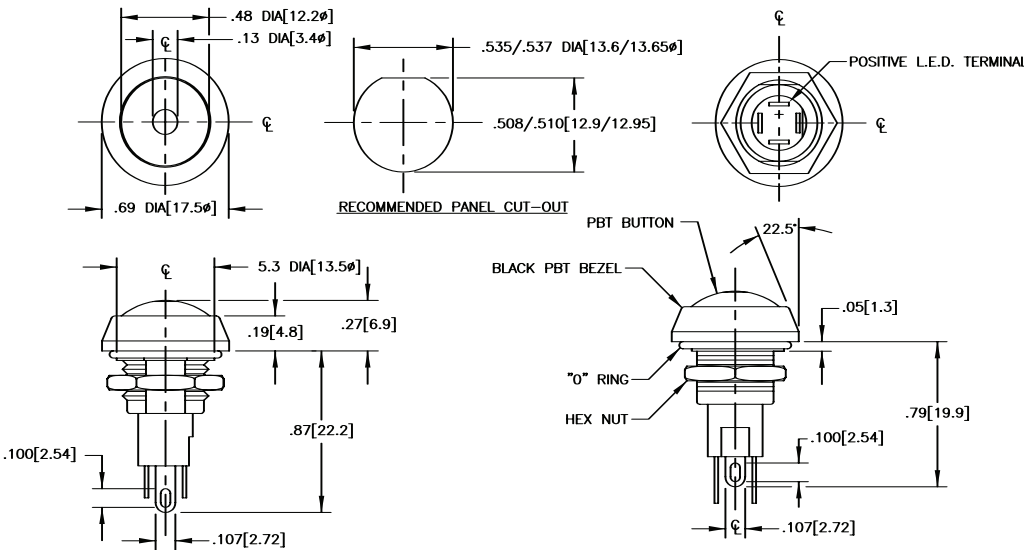
## 49-11X & 49-61X SERIES



## MECHANICAL / ELECTRICAL CHARACTERISTICS:

- Circuit:** SPST-NO-DB or SPST-NC-DB
- Travel (nominal):** .09 in/2.3 mm
- Life (nominal):** 1,000,000 cycles (mechanical)  
500,000 (nominal) cycles (electrical)
- Operating force (nominal):** 3N/306g
- Contact bounce (nominal):** 1 ms
- LED:** T-1

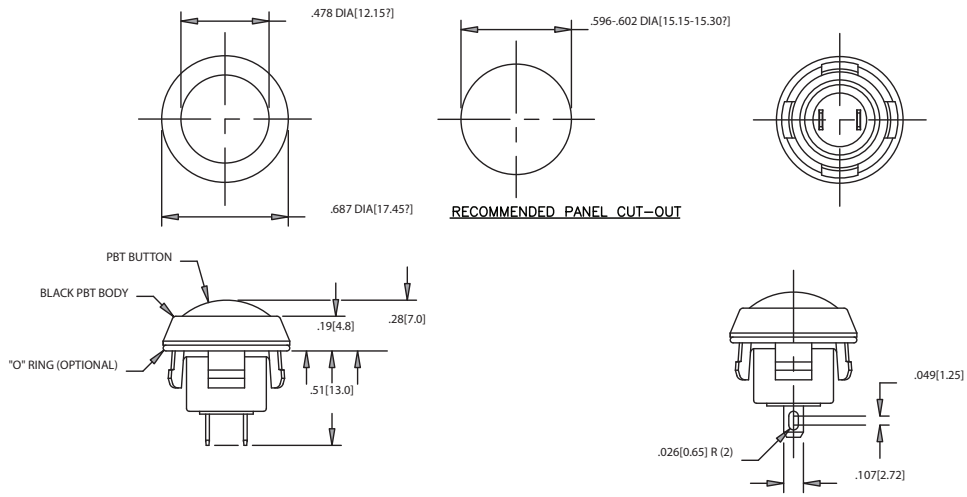
## 49-41X SERIES



- Dielectric strength:** 1,000 VAC
- Insulation resistance:** 1 G Ohms
- Contact resistance:** 50 m Ohms initial
- Switching power (max):** 16 VA AC
- Mounting Torque (max):** 15 inch pounds
- Electrical Ratings:**

| Circuitry  | Current | Voltage     |
|------------|---------|-------------|
| SPST-DB-NO | 400 mA  | 32 VAC Res  |
| SPST-DB-NC | 100 mA  | 50 VDC Res  |
|            | 125 mA  | 125 VAC Res |

## 49-91X SERIES



2550 Millbrook Drive  
 Buffalo Grove, IL 60089  
 800.544.3354  
 847.876.9400  
 847.876.9440 (Fax)  
[www.itwswitches.com](http://www.itwswitches.com)  
[customer\\_service@itwswitches.com](mailto:customer_service@itwswitches.com)